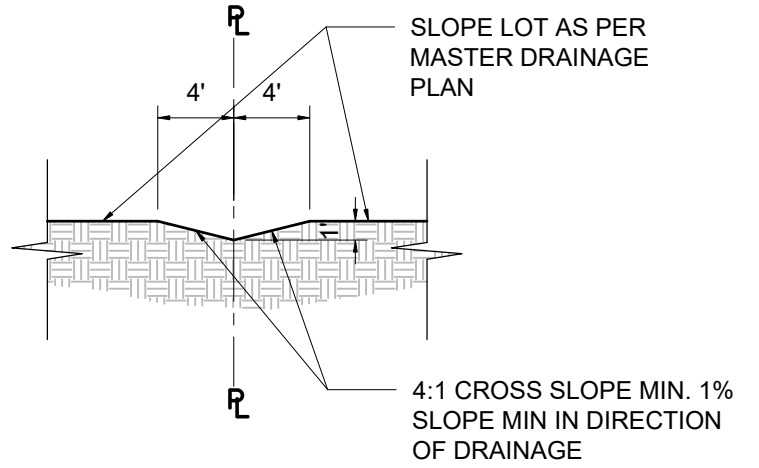
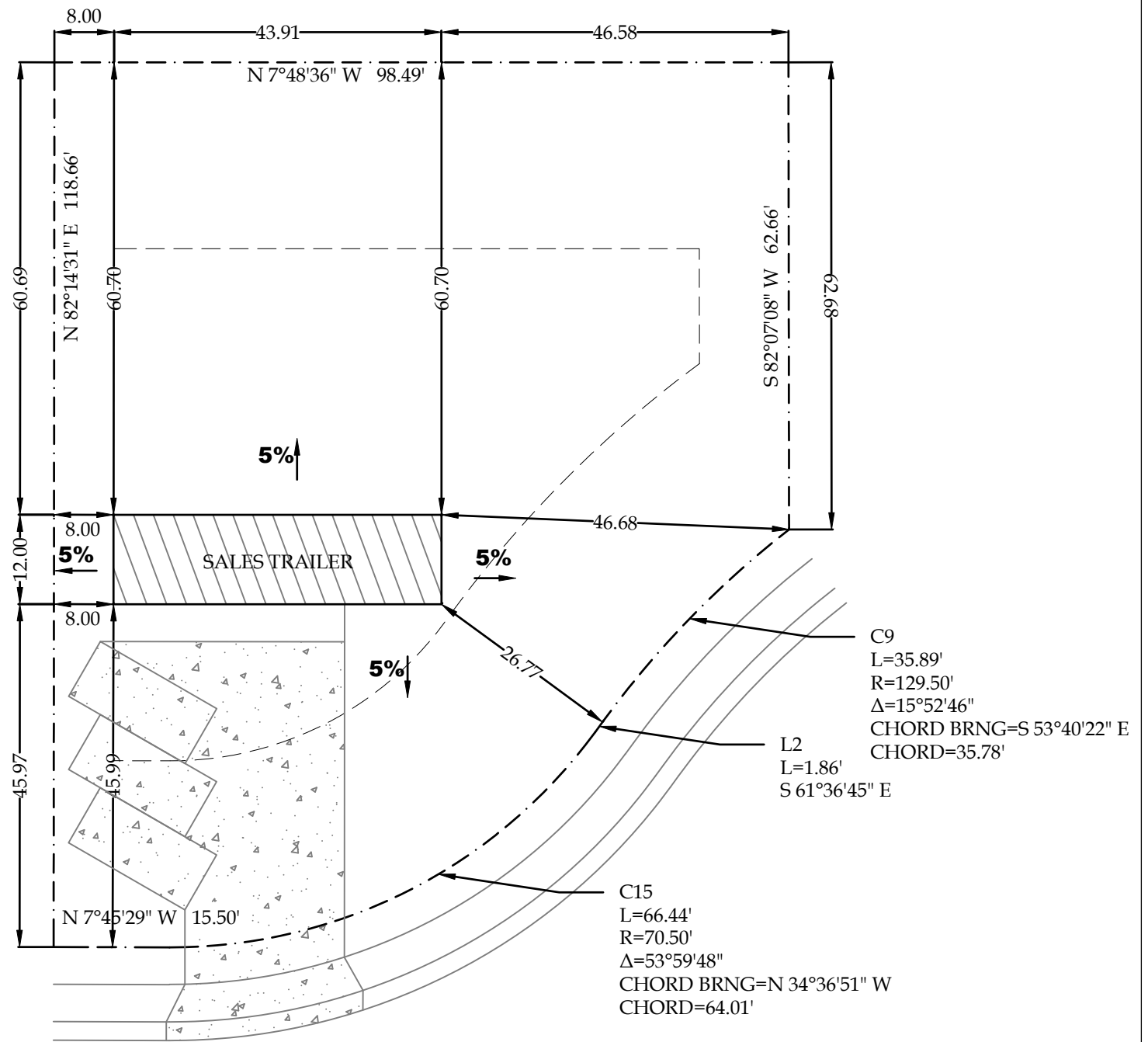


NOTE:
 LOT LINE DRAINAGE SWALES SHALL NOT BE ALTERED OR TAMPERED WITH IN ANY WAY AND SHALL BE MAINTAINED BY THE PROPERTY OWNER. SWALES MUST BE INSPECTED AND MUST MATCH THE MASTER GRADING PLAN PRIOR TO A CERTIFICATE OF OCCUPANCY BEING ISSUED

SUBDIVISION INFORMATION:
 NAME: ALPINE SPRINGS



LOT LINE SWALE DETAIL
 SCALE: NTS
 REQUIRED AT ALL LOT LINES

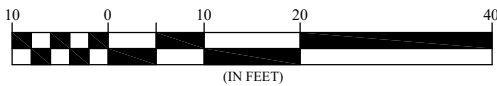


WOODRUN WAY

LEGEND

| | |
|--|---------------------------------------|
| | DRAINAGE |
| | WATER LINE |
| | SEWER LINE |
| | PRESSURIZED IRRIGATION |
| | POWER TRANSFORMER BOX (4' X 4') |
| | SECONDARY TRANSFORMER BOX (12' X 12') |
| | PHONE PEDESTALS (12' X 12') |
| | UTILITY EASEMENT |
| | SETBACK LINE |
| | PROPERTY LINE |
| | STORM MANHOLE |
| | STORM INLET BOX |
| | SEWER MANHOLE |
| | HYDRANT |

GRAPHIC SCALE



SARATOGA SPRINGS
 LOT 131

SITE
 PLAN

C1.1

LOT 131

10,073.3 SQ. FT.

189 NORTH WOODRUN WAY

Fieldstone Homes, Inc.
 12896 South Pony Express Road Suite #400 Draper, UT, 84020
 (801) 233-8300 FAX (801) 233-8600

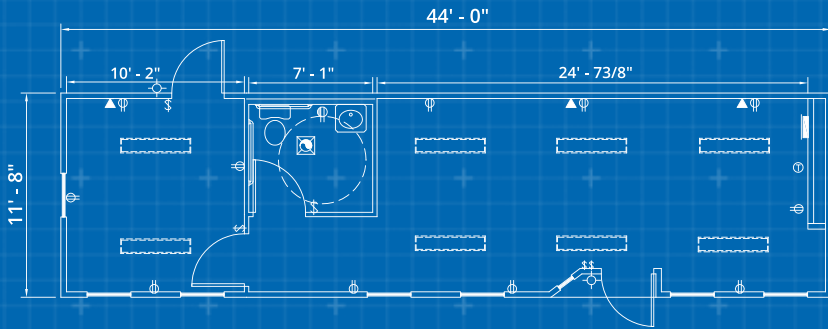
SCALE 1" = 20'

DRAFTED BY: EJ 10/05/2022
 APPROVED BY FCM:

**FieldStone
 HOMES**



In addition to your office solution, we can provide additional products and services that complete your space- creating a more productive, comfortable, and safe work environment.



CUSTOMIZATION

- Steps & Ramps
- Furniture & Appliances
- Technology
- Site Services
- Loss Protection

Dimensions

48' Long (including hitch)
 44' Box size
 12' Wide
 8' Ceiling height

Exterior Finish

Aluminum or wood siding
 I-Beam Frame
 Standard drip rail gutters

Interior Finish

Vinyl covered gypsum walls
 Commercial carpeting throughout
 Gypsum or T-grid suspended ceiling

Electric

Fluorescent ceiling lights
 Single phase electric and breaker panel

Heating/Cooling

Central HVAC and duct heating

Windows/Doors

Large glass windows
 French door

Other

Large display/reception area
 Private office(s)
 Handicapped accessible restroom
 Coffee bar

** Photos are representational; actual products vary. Additional floor plans and specifications may vary from those shown and are subject to in-stock availability*

